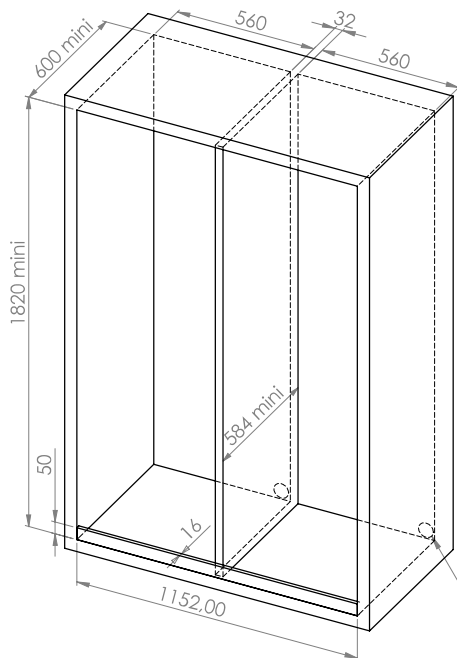
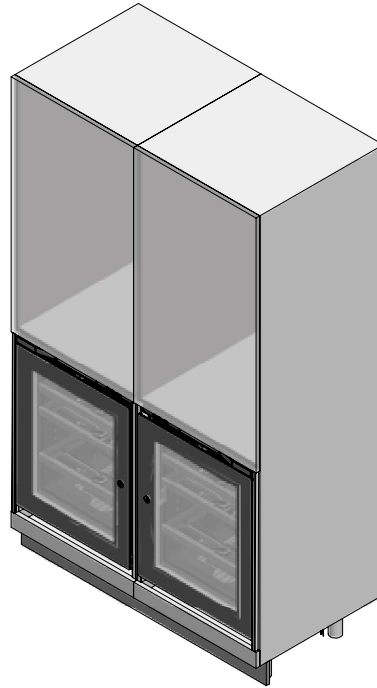
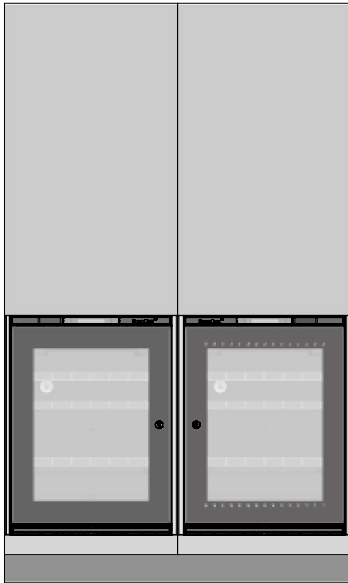


### Installing two cabinets side by side

Please note: If installing two cabinets side by side, they must be placed in two separate kitchen unit casings. This allows adequate circulation of air around the cabinets, ensuring that they function correctly.

If the width of the two casings side by side is less than 1,200 mm, it is possible to install a single wall between the two cabinets.

In the case of a standard installation with two casings 600 mm wide, it is possible to install two walls between the two cabinets.



Outlet position

Use the mounting brackets on the hinge side

Use the mounting brackets or the handle threader on the handle side.